

KStrong® Bully™ Swivel 10K Anchor for Metal Structure with 5/8", 4" Long Hex Head Bolt, Nut, and Washer

Model: UFA30311

DESIGN

- Swivel D-Ring anchor has a robust and durable design, having 360° Swivel movement of the D-ring
- Comes with 5/8" bolt with washer and nut to be installed on different metal structures

MATERIAL

High Strength Alloy Steel

FINISH

Galvanized Zinc with Silver/Yellow passivation

MINIMUM BREAKING STRENGTH

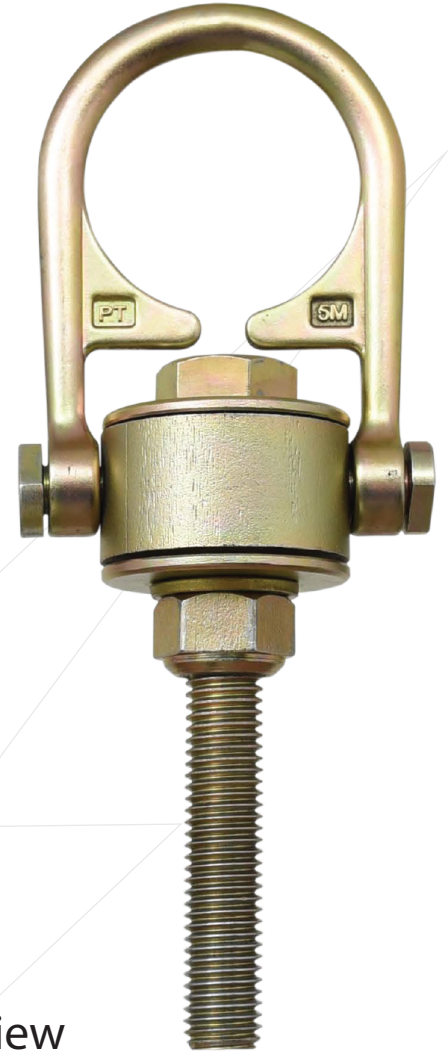
10,000 lbs.

WEIGHT

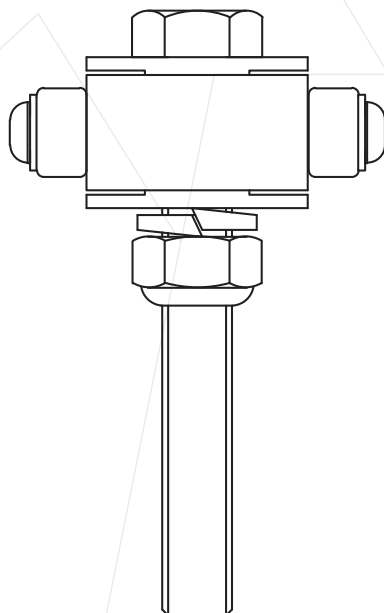
2.21 lb ± 0.02 lb (1002 gm. ±10gm).

RELEVANT STANDARDS

Meets or Exceeds ANSI Z359.18-2017 Type A



Side View



Top View

